

SUNLIGHTER STANDS

CODE	PART	QUANTITY		
		SL22	SL44	SL48
TB	TOP BRACKET	1	1	1
E	ENDFRAME	2	2	2
B	BRACKETS	4	8	8
T	TRAYS	2	4	8
LC	LONG CROSSMEMBER	2	2	2

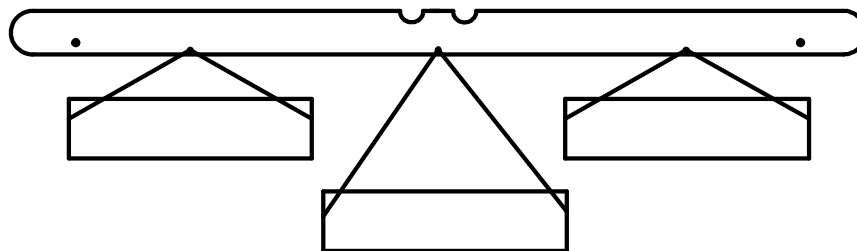
BAGGED KIT

SS	SMALL SCREW	8	16	16
S	SCREW (LONG)	6	6	6
BC	BLACK CAPS	4	4	4
GC	GROUND CORD	1	1	1
N	SMALL NUT	8	16	16

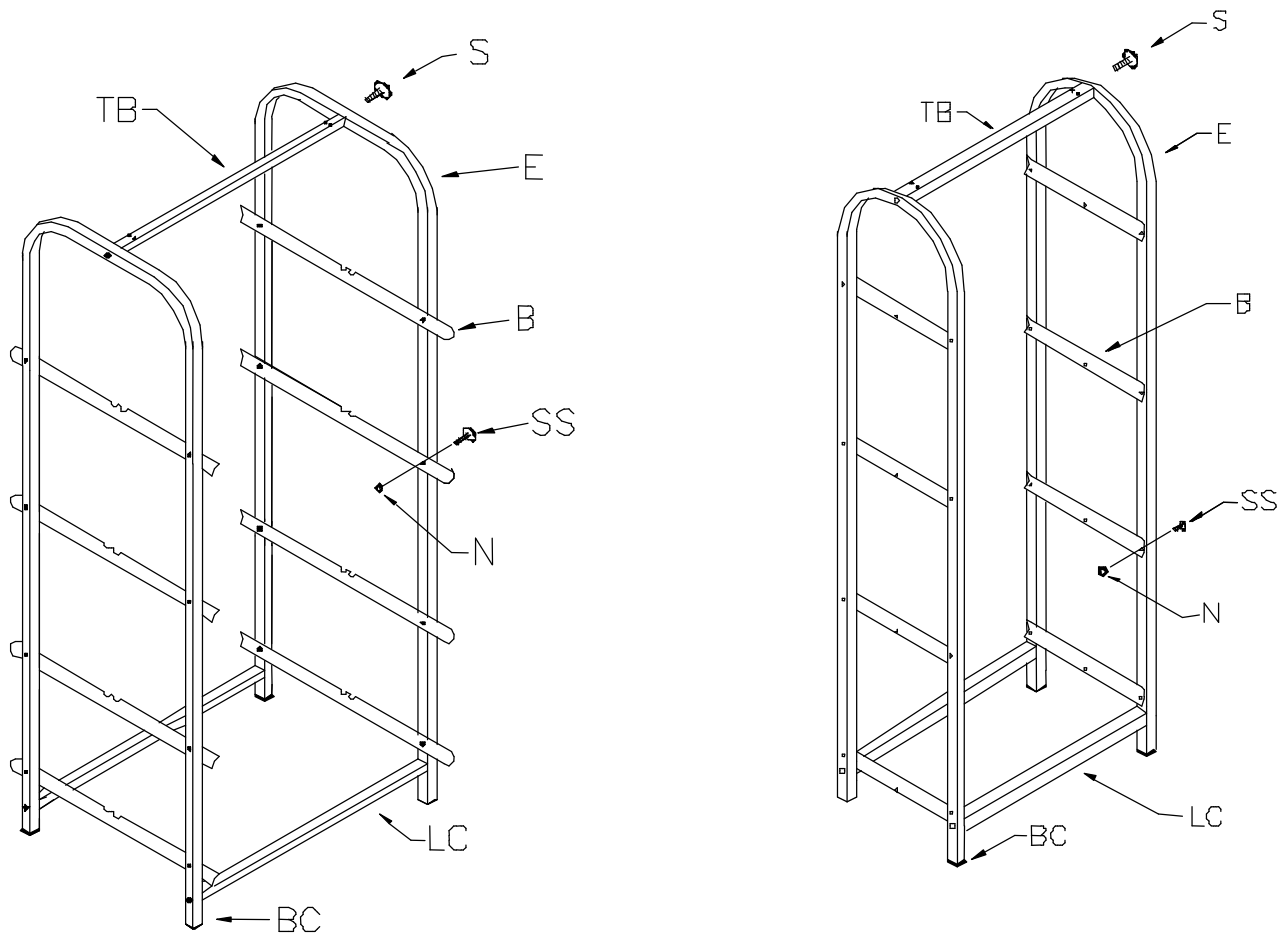
1. USING THE SMALL SCREWS **SS** AND NUTS **N** ASSEMBLE THE BRACKETS **B** (MAKING SURE THAT ALL THE NOTCHES ARE TO THE TOP OF THE STAND) TO THE END FRAMES **E**. DO NOT TIGHTEN THE NUTS. FOR BEST RESULTS START AT TOP OF ENDFRAME **E** AND WORK YOUR WAY DOWN.
2. REPEAT PROCEDURE IN STEP 1 ON OTHER ENDFRAME **E**.
3. USING THE LONG SCREWS **S** ASSEMBLE THE 2 LONG CROSSMEMBERS **LC** AND THE TOP BRACKET **TB** TO THE ENDFRAMES **E**. (BE SURE THE SMALL HOLES ARE FACING UP ON THE TOP BRACKET **TB**).
4. TIGHTEN ALL THE NUTS. PLACE THE TRAYS ON THE BRACKETS **B**, FIRMLY PUSH DOWN TO SECURE THE TRAYS **T** TO THE STAND.

HANGING THE FIXTURES

1. UNPACK AND INSTALL THE LAMPS IN ALL FIXTURES.
2. PLACE S-HOOKS IN SMALL HOLES IN BRACKETS, HOOK THE CHAINS TO THE S-HOOKS AT DESIRED HEIGHT.



SL48
FIXTURE HANGING SUGGESTIONS



CODE	PART
TB	TOP BRACKET
S	LONG SCREW
E	END FRAME
SS	SMALL SCREW
LC	LONG CROSS MEMBER
BC	BLACK CAP
B	BRACKET
N	SMALL NUT

To Prevent Electrical Shock: Connect the eyelet of the enclosed ground cord to any bolt head. The other end should be connected to a ground point such as a water pipe or center screw of a grounded outlet. **Disconnect** fixtures when watering plants.