

## VALUE LINE STAND (V28F4) ASSEMBLY INSTRUCTIONS

CODE	STAND PARTS	QTY
<b>R</b>	Slide rod	4
<b>S</b>	Short piece with 2 holes	2
<b>E</b>	End frame	2
<b>L</b>	Shelf support	4
CODE	FIXTURE PARTS	QTY
<b>SP</b>	Spacer	8
<b>TN</b>	T-Nut	8
<b>K</b>	Knob with stud	8
<b>F</b>	Fixture	4
	Lamps	8
CODE	BAG KIT	QTY
<b>BC</b>	Black cap	4
<b>SC</b>	Screw	20
<b>N</b>	Nut	8
<b>C</b>	Screw cover	12
<b>GC</b>	Ground cord	1
<b>DW</b>	Domed washer (16 for fixtures, 8 for stand)	24



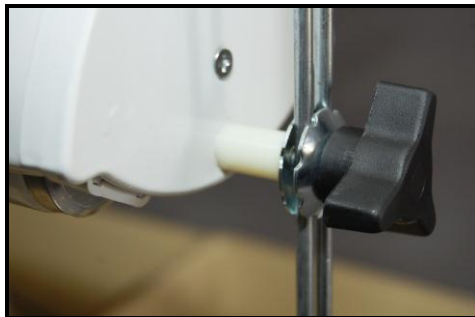
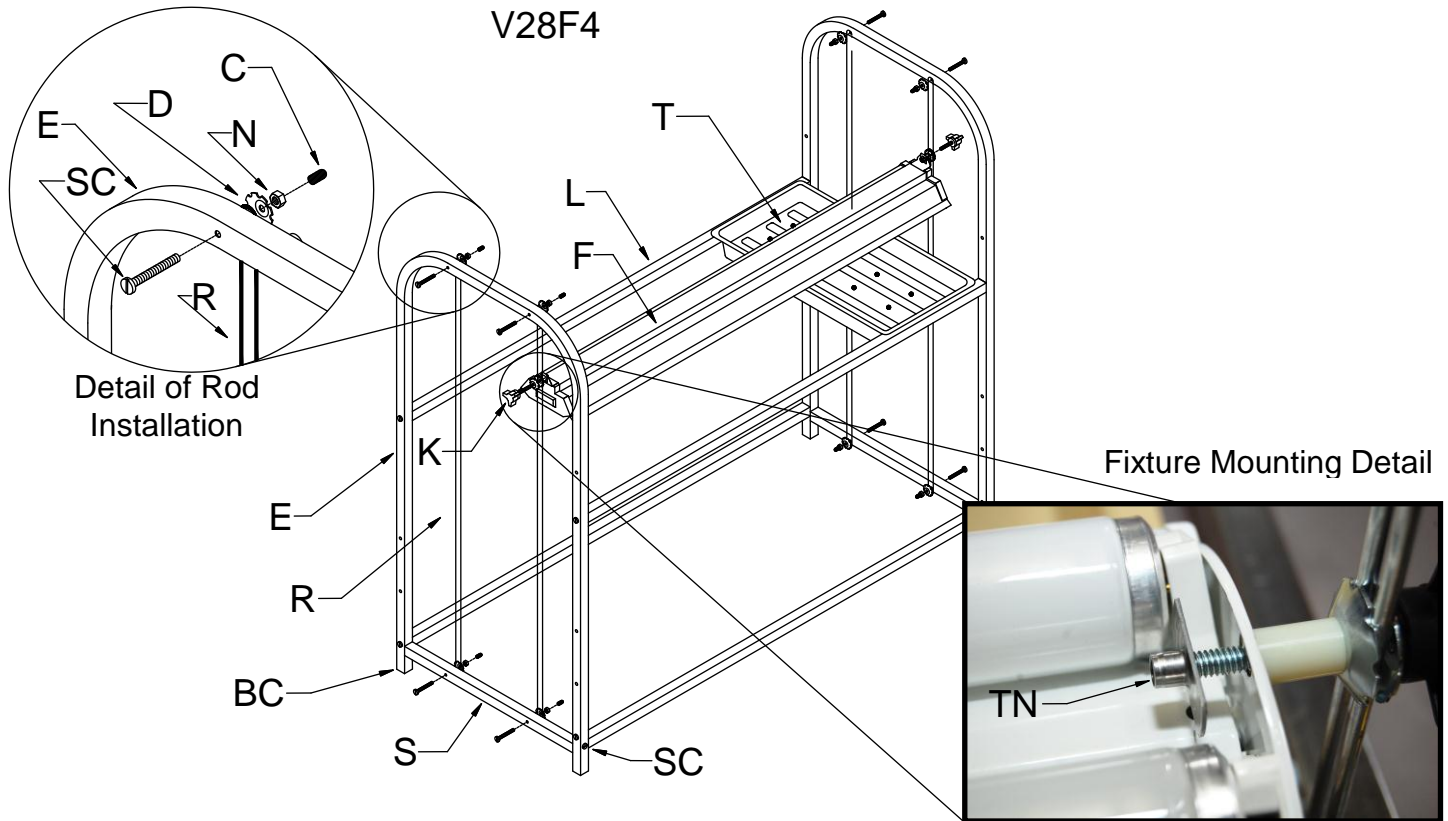
**V28F4**

### STAND ASSEMBLY

1. Assemble short pieces **S** between bottom of endframe **E**, using the screws **SC**, keeping all holes facing the same direction (outside to inside--not up to down). Repeat this step on other endframe **E**.
2. Insert a screw **SC** in one of the top holes of endframe **E** from the outside. Hang a slide rod **R** over screw, (rods on the inside of the stand). Install a domed washer **DW** on screw. Screw on a nut **N**, and tighten. Place a screw cover **C** on the end of screw.
3. Insert a screw **SC** in one of the holes in the short piece **S** from the outside, between the bottom ends of slide rod **R**, Install a domed washer **DW**. Screw on a nut **N**, and tighten. Place a screw cover **C** on the end of the screw.
4. Place black caps **BC**, in the bottom of the endframes **E**.
5. Place a screw **SC** through the hole of the endframe **E**, and then into the end of the shelf support **L**, making sure the shelf support **L** is on the same side as the slide rods **R**, (the rods should be on the inside of the unit when finished), and tighten. Repeat this step for the rest of the shelf supports **L**.
6. Place plant trays **T** on the shelves.

# FIXTURE ASSEMBLY

1. Install lamps into fixture **F**, without sleeves. (Do not have fixture plugged in while installing lamps) Place fixture **F** on trays **T**, lamps up.
2. Place a washer **DW** on the knob. Slide the stud through the slide rods **R**, put on another domed washer **DW**. Slide the spacer **SP** on the stud. Place and hold the T-Nut **TN** on the inside of the fixture, thread the knob into the T-Nut **TN**, do not tighten all the way. Repeat on other side. See detail drawing.
3. Turn fixture over adjust to desired height and tighten the knob.



CODE	PART	CODE	PART
<b>C</b>	Screw Cover	<b>R</b>	Slide Rod
<b>DW</b>	Domed Washer	<b>SC</b>	Screw
<b>E</b>	End Frame	<b>SP</b>	Spacer
<b>BC</b>	Black Cap	<b>S</b>	Short Piece
<b>L</b>	Shelf Support	<b>F</b>	Fixture
<b>N</b>	Nut	<b>TN</b>	T-Nut
<b>T</b>	Plant Tray	<b>K</b>	Knob with stud

To Prevent Electrical Shock: Connect the eyelet of the enclosed ground cord to any bolt head. The other end should be connected to a ground point such as a water pipe or center screw of a grounded outlet. Please disconnect fixtures when watering plants.